

TECHNICAL DATA SHEET

VALSIR® WASTE SYSTEMS

MULTIBRANCH



valsir®
QUALITY FOR PLUMBING

TRIPLUS

MULTIBRANCH SYSTEM

Charateristics

Code:	VS0652001
Diameter of the connection from the top:	110 mm
Range of connectable diameters to the body:	32-40-50 mm
Maximum number of connections to the body:	4
Raw material:	Triplus (PP + Minerals)
Fire resistance:	D-s3, d0
Max temperature of waste water	80° C (continuous) 95° C (intermittent)
Height:	230 mm



DESCRIPTION:

Triplus Multibranch is an waste collector for the different fixtures of the bathroom and the kitchen. Made up of a blend of polypropylene and mineral fillers, it is part of the acoustic Triplus range. Thanks to the flexibility of the seal it is possible to connect the diameters 32-50 mm without the need for connectors. Thanks to the presence of sealed caps from 1 to 4 pipes can be connected to the different connections.

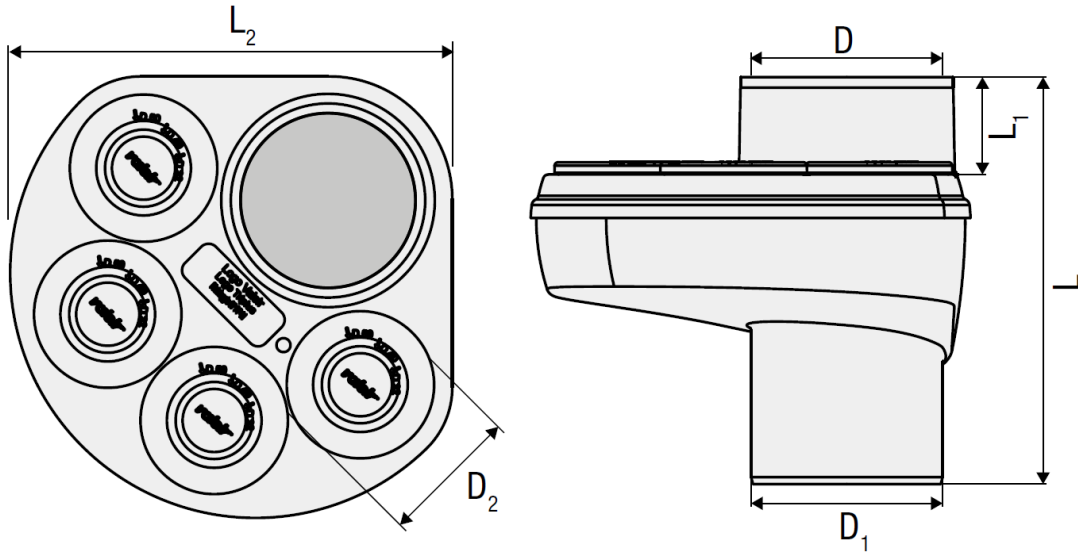
Approvals:

The approvals of Valsir® waste systems are available on the website: www.valsir.com

TRIPPLUS

MULTIBRANCH SYSTEM

Technical specs:



D	D ₁	D ₂	L	L ₁	L ₂
110	110	4x32-50	230	55	250

Connectable diameters:



PLUMBING

WASTE SYSTEMS



SUPPLY SYSTEMS



GAS SYSTEMS



FLUSH SYSTEMS



BATHROOM SYSTEMS



TRAPS



RADIANT SYSTEMS



DRAINAGE SYSTEMS



HRV SYSTEM



ACADEMY



SEWER SYSTEMS



WATER TREATMENT



BUILDING

valsir[®]
QUALITY FOR PLUMBING

VALSIR S.p.A.
Località Merlaro, 2
25078 Vestone (BS) - Italy
Tel. +39 0365 877.011
Fax +39 0365 81.268
e-mail: valsir@valsir.it

www.valsir.com

Soggetta all'attività di direzione e coordinamento ex art. 2497 bis C.C. da parte di Silmar Group S.p.A. - Codice Fiscale 02075160172

61202-016M - luglio 2019